



Austrian Institute of Construction Engineering
Schenkenstrasse 4 | T+43 1 533 65 50
1010 Vienna | Austria | F+43 1 533 64 23
www.oib.or.at | mail@oib.or.at



European Technical Assessment

ETA-12/0118
of 07.07.2017

General part

Technical Assessment Body issuing the European Technical Assessment

Österreichisches Institut für Bautechnik (OIB)
Austrian Institute of Construction Engineering

Trade name of the construction product

ZZ G30

Product family to which the construction product belongs

Fire Stopping and Fire Sealing Products:
Linear Joint and Gap Seals

Manufacturer

Karl Zimmermann GmbH
Marconistraße 7-9
50769 Köln
GERMANY

Manufacturing plant

Karl Zimmermann GmbH
Marconistraße 7-9
50769 Köln
GERMANY

This European Technical Assessment contains

15 pages including Annexes A-1 to D-2 which form an integral part of this assessment.

This European Technical Assessment is issued in accordance with Regulation (EU) No 305/2011, on the basis of

Guideline for European technical approval for "Fire Stopping and Fire Sealing Products", ETAG 026 Part 3: "Linear Joint and Gap Seals", edition August 2011, used as European Assessment Document (EAD)

This European Technical Assessment replaces

European technical approval ETA-12/0118 with validity from 09.07.2012 to 08.07.2017

This European Technical Assessment is not to be transferred to manufacturers or agents of manufacturer other than those indicated on page 1, or manufacturing plants other than those laid down in the context of this European Technical Assessment.

Translations of this European Technical Assessment in other languages shall fully correspond to the original issued document and should be identified as such.

Communication of this European Technical Assessment, including transmission by electronic means, shall be in full. However, partial reproduction can be made with the written consent of the Österreichisches Institut für Bautechnik. In this case, partial reproduction has to be designated as such.

This European Technical Assessment may be withdrawn by the Österreichisches Institut für Bautechnik, in particular pursuant to information by the Commission according to Article 25 (3) of Regulation (EU) No 305/2011.

electronic copy
electronic copy
electronic copy
electronic copy
electronic copy
electronic copy
electronic copy
electronic copy
electronic copy

Specific parts

1 Technical description of the product

“ZZ G30” is a kit to be used as a linear joint and gap seal based on the following components.

Component of “ZZ G30”	Characteristics
ZZ 345	Elastic RTV-1 silicone (room-temperature cross-linkage, 1-component, oxime system) with intumescent fire protection additives (fire protection silicone)

Additional components	Characteristics
Backfilling material	PE / PUR round cords or mineral wool, depending on the type of application. For details see Annex A-1 and B-1 to D-2 of the ETA.

2 Specification of the intended use(s) in accordance with the applicable European Assessment Document (hereinafter EAD)

2.1 Intended use

“ZZ G30” is intended to be used as a linear joint and gap seal to reinstate the fire resistance performance of rigid wall constructions and rigid floor constructions at linear gaps/joints within those constructions or where they are abutting another wall or floor/ceiling/roof construction.

The maximum gap/joint width of the linear joint and gap seal has to comply with the dimensions as specified in the following table.

“ZZ G30” can be installed only in construction elements as specified in the following table.

Construction-element	Construction
Rigid walls	<ul style="list-style-type: none"> > Aerated concrete, concrete, reinforced concrete, masonry > Minimum density 450 kg/m³ > Minimum thickness 100 mm > The rigid wall shall be classified in accordance with EN 13501-2 for the required fire resistance period > Maximum joint width 40 mm
Rigid floors	<ul style="list-style-type: none"> > Aerated concrete, concrete, reinforced concrete > Minimum density 450 kg/m³ > Minimum thickness 150 mm > The rigid floor shall be classified in accordance with EN 13501-2 for the required fire resistance period > Maximum joint width 40 mm

electronic copy

2.2 Use category

“ZZ G30” is intended for use in conditions exposed to weathering, and can therefore – according to ETAG 026-Part 3 clause 2.4.13.1.1.3.3 – be categorized as Type X. Since the requirements for Type X are met, also the requirements for Type Y₁, Y₂, Z₁ and Z₂ are fulfilled.

2.3 Working life

The provisions made in this European Technical Assessment are based on an assumed working life of “ZZ G30” of 10 years, provided the conditions laid down in the technical literature of the manufacturer relating to packaging, transport, storage, installation, use and repair are met.

The indications given on the intended working life cannot be interpreted as a guarantee given by the producer or the Technical Assessment Body, but are to be regarded only as a means for selecting the appropriate product in relation to the expected economically reasonable working life of the works.

The real working life might be, in normal use conditions, considerably longer without major degradation affecting the Basic requirements for construction works.

2.4 General assumptions

It is assumed that damages to the linear joint and gap seal are repaired accordingly.

2.5 Manufacturing

The European Technical Assessment is issued for the product on the basis of agreed data / information, deposited with the Österreichisches Institut für Bautechnik, which identifies the product that has been assessed and judged. Changes to the product or production process, which could result in this deposited data / information being incorrect, should be notified to the Österreichisches Institut für Bautechnik before the changes are introduced.

The Österreichisches Institut für Bautechnik will decide whether or not such changes affect the European Technical Assessment and consequently the validity of the CE marking on the basis of the European Technical Assessment and if so whether further assessment or alterations to the European Technical Assessment, shall be necessary.

2.6 Installation

The product shall be installed and used as described in this European Technical Assessment.

3 Performance of the product and references to the methods used for its assessment

Basic requirements for construction works	Essential characteristic	Method of verification	Performance
BWR 2	Reaction to fire	EN 13501-1:2007+A1:2009	Clause 3.1.1 of the ETA
	Resistance to fire	EN 13501-2:2007+A1:2009	Annex B-1 to D-2 of the ETA
BWR 3	Air permeability (material property)	No performance assessed	
	Water permeability (material property)	No performance assessed	
	Content and/or release of dangerous substances	European Council Directive 67/548/EEC and Regulation (EC) No 1272/2008 as well as EOTA TR 034, edition October 2015	Declaration of conformity by the manufacturer
BWR 4	Mechanical resistance and stability	No performance assessed	
	Resistance to impact / movement	No performance assessed	
	Adhesion	No performance assessed	
BWR 5	Airborne sound insulation	No performance assessed	
BWR 6	Thermal properties	No performance assessed	
	Water vapour permeability	No performance assessed	

3.1 Safety in case of fire (BWR 2)

3.1.1 Reaction to fire

The components of "ZZ G30" were assessed according to ETAG 026-Part 3 clause 2.4.1 and classified according to EN 13501-1:2007+A1:2009.

Component	Class according to EN 13501-1:2007+A1:2009
ZZ 345	E

3.1.2 Resistance to fire

"ZZ G30" was tested according to ETAG 026-Part 3 clause 2.4.2, EN 1366-4:2006+A1:2010 in conjunction with EN 1363-1:1999-10, installed within linear joints in rigid walls and rigid floors.

Based upon the gained test results and the field of application specified within EN 1366-4:2006+A1:2010 in conjunction with EN 1363-1:1999-10 "ZZ G30" has been classified according to EN 13501-2:2007+A1:2009.

The resistance to fire classification listed in Annex B-1 to D-2 of the ETA is only valid if "ZZ G30" is installed according to Annex A-1 and B-1 to D-2 of the ETA.

3.2 Hygiene, health and environment (BWR 3)

3.2.1 Air permeability

No performance assessed.

3.2.2 Water permeability

No performance assessed.

3.2.3 Release of dangerous substances

According to the manufacturer's declaration the components of "ZZ G30" do not contain dangerous substances detailed in Council Directive 67/548/EEC and Regulation (EC) no 1272/2008 as well as EOTA TR 034 (General BWR 3 Checklist for EADs/ETAs – Dangerous substances), edition October 2015 above the acceptable limits.

A written declaration in this respect was submitted by the ETA-holder.

In addition to the specific clauses relating to dangerous substances contained in this European Technical Assessment, there may be other requirements applicable to the products falling within its scope (e.g. transposed European legislation and national laws, regulations and administrative provisions). In order to meet the provisions of the Construction Products Regulation, these requirements need also to be complied with, when and where they apply.

3.3 Safety in use (BWR 4)

3.3.1 Mechanical resistance and stability

No performance assessed.

3.3.2 Resistance to impact / movement

No performance assessed.

3.3.3 Adhesion

No performance assessed.

3.4 Protection against noise (BWR 5)

3.4.1 Airborne sound insulation

No performance assessed.

3.5 Energy economy and heat retention (BWR 6)

3.5.1 Thermal properties

No performance assessed.

3.5.2 Water vapour permeability

No performance assessed.

3.6 General aspects relating to fitness for use

All components of “ZZ G30” fulfil the requirements for the intended use category.

“ZZ G30” is therefore appropriate for conditions exposed to weathering and can – according to ETAG 026-Part 3 clause 2.4.13.1.1.3 – be categorized as Type X. Since the requirements for Type X are met, also the requirements for Type Y1, Y2, Z1 and Z2 are fulfilled.

4 Assessment and verification of constancy of performance (hereinafter AVCP) system applied, with reference to its legal base

According to the Decision 1999/454/EC¹, amended by Decision 2001/596/EC² of the European Commission the system(s) of assessment and verification of constancy of performance (see Annex V of Regulation (EU) No 305/2011) is given in the following table.

Product(s)	Intended use(s)	Level(s) or class(es) (resistance to fire)	System of assessment and verification of constancy of performance
Fire Stopping and Fire Sealing Products	for fire compartmentation and/or fire protection or fire performance	any	1

In addition, according to the Decision 1999/454/EC, amended by Decision 2001/596/EC of the European Commission the system(s) of assessment and verification of constancy of performance, with regard to reaction to fire, is 3.

Product(s)	Intended use(s)	Level(s) or class(es) (reaction to fire)	System of assessment and verification of constancy of performance
Fire Stopping and Fire Sealing Products	For uses subject to regulations on reaction to fire	A1*, A2*, B*, C*	1
		A1**, A2**, B**, C**, D, E	3
		(A1 to E)***, F	4
<p>* Products/materials for which a clearly identifiable stage in the production process results in an improvement of the reaction to fire classification (e.g. an addition of fire retardants or a limiting of organic material)</p> <p>** Products/materials not covered by footnote (*)</p> <p>*** Products/materials that do not require to be tested for reaction to fire (e.g. products/materials of class A1 according to Commission Decision 96/603/EC, as amended)</p>			

¹ Official Journal of the European Communities no. L 178, 14.7.1999, p. 52

² Official Journal of the European Communities no. L 209, 2.8.2001, p. 33

5 Technical details necessary for the implementation of the AVCP system, as provided for in the applicable EAD

Technical details necessary for the implementation of the AVCP system are laid down in the control plan deposited with the Technical Assessment Body Österreichisches Institut für Bautechnik.

The notified product certification body shall visit the factory at least once a year for surveillance of the manufacturer.

Issued in Vienna on 07.07.2017
by Österreichisches Institut für Bautechnik

The original document is signed by:

Rainer Mikulits
Managing Director

electronic copy
electronic copy
electronic copy
electronic copy
electronic copy
electronic copy

electronic copy electronic copy electronic copy electronic copy electronic copy electronic copy electronic copy electronic copy electronic copy electronic copy

1 General

- > “ZZ G30” can be used in joints and gaps in wall constructions (vertical separating element) and floor constructions (horizontal separating element) or where they are abutting another wall or floor/ceiling/roof construction according to clause 2.1 of the ETA.
- > It must be ensured that the installation of the linear joint and gap seal does not affect the stability of the adjacent building element – even in case of fire.
- > To improve the adhesion of “ZZ 345” on mineral materials (e.g. concrete, aerated concrete) and absorbent material (e.g. gypsum, fibre cement), the joint flanks may be pre-treated with a primer.

2 Details for installation of “ZZ G30” (see Annex B-1 to D-2 of the ETA)

- > “ZZ G30” has to be installed according to the ETA-holder’s installation instructions.
- > The surfaces to which “ZZ G30” will be applied must be cleaned of loose debris and dirt.
- > Material that is located in the joint can remain, provided that the fire protection silicone “ZZ 345”, as well as the required backfilling material can be inserted according to the ETA-holder’s installation instructions.
- > “ZZ G30” will be formed by compressing and inserting an overdimensioned mineral wool strip or a PE / PUR round cord into the component joint.
- > Mineral and absorbent substrates, and in the case of high mechanical stress of the joint, the joint flanks may be pre-treated with a primer.
- > “ZZ 345” must be applied evenly into the joint, starting from the backfilling material according to the ETA-holder’s installation instructions. “ZZ 345” has to be smoothed with a spatula by using diluted soap or smoothing agent.
- > For the application according to Annex B-1 and B-2 of the ETA, the fire protection silicone “ZZ 345” must be applied on the backfilling material (PE/PUR round cord or mineral wool) on both sides of the joint.
- > For the application according to Annex C-1 to D-2 of the ETA, the fire protection silicone “ZZ 345” must be applied on mineral wool (minimum density 40 kg/m³) on one or on both sides of the joint.

3 Transport and storage

- > The indications of the manufacturer regarding transport and storage (minimum and maximum storing temperature, maximum duration of storage) have to be followed.

4 Use, maintenance and repair

- > The fire resistance of the linear joint and gap seal shall not be negatively affected by future changes to buildings or building elements.

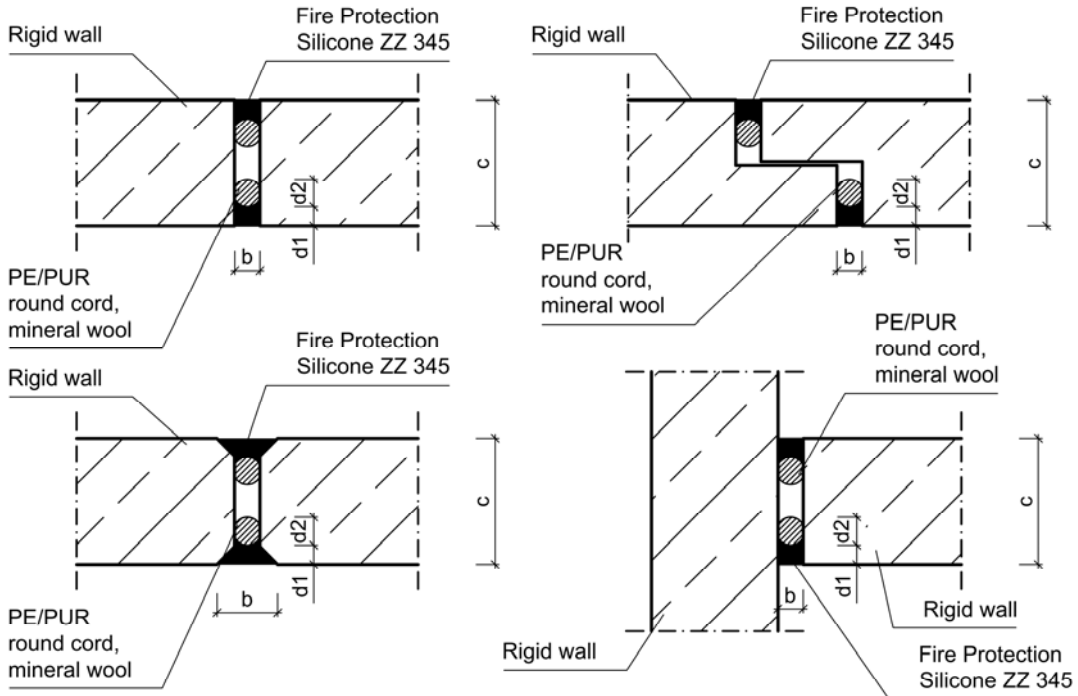
The assessment of the fitness for use is based on the assumption that necessary maintenance and repair if required is carried out in accordance with the ETA-holder’s installation instruction during the assumed intended working life.

ZZ G30

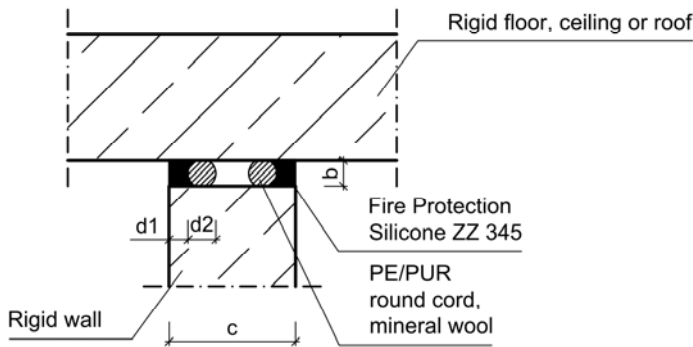
- Details for installation -

ANNEX A-1

1) Vertical joints in / between rigid walls:



2) Horizontal joints in rigid walls abutting a floor, ceiling or roof :



All dimensions in mm

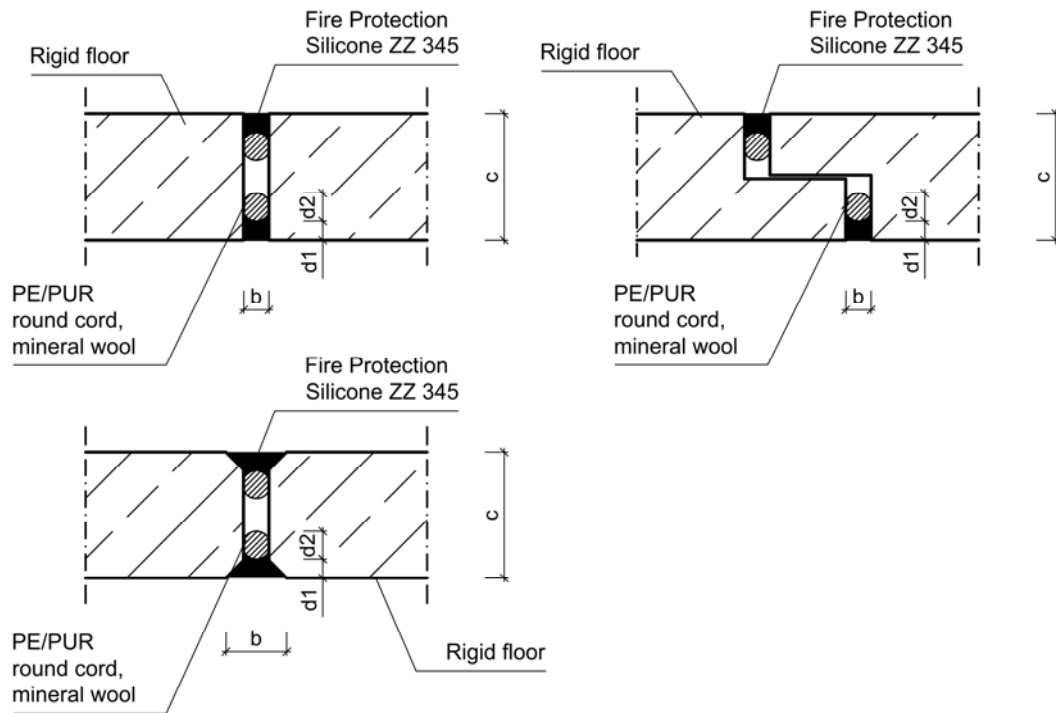
Element of construction	Joint width b [mm]	Wall thickness c [mm]	Seal depth d1 [mm]	Depth of backfilling material d2 [mm]	Fire resistance classification
Rigid wall	5 to 40	≥ 100	≥ 15	> b	1) EI15- to EI90-V-X-F-W 5 to 40 2) EI15- to EI90-T-X-F-W 5 to 40
	5 to 40	≥ 150	≥ 5	> b	1) EI15- to EI90-V-X-F-W 5 to 40 2) EI15- to EI90-T-X-F-W 5 to 40
	5 to 20	≥ 150	≥ 5	> b	1) EI15- to EI120-V-X-F-W 5 to 40 2) EI15- to EI120-T-X-F-W 5 to 40
	20 to 40	≥ 150	≥ 10	> b	1) EI15- to EI120-V-X-F-W 5 to 40 2) EI15- to EI120-T-X-F-W 5 to 40

ZZ G30

Maximum ± 7,5% movement (non-movement joint), sealed on both sides
 - Installation in rigid wall c ≥ 100 mm -

ANNEX B-1

1) Horizontal joints in / between rigid floors:



All dimensions in mm

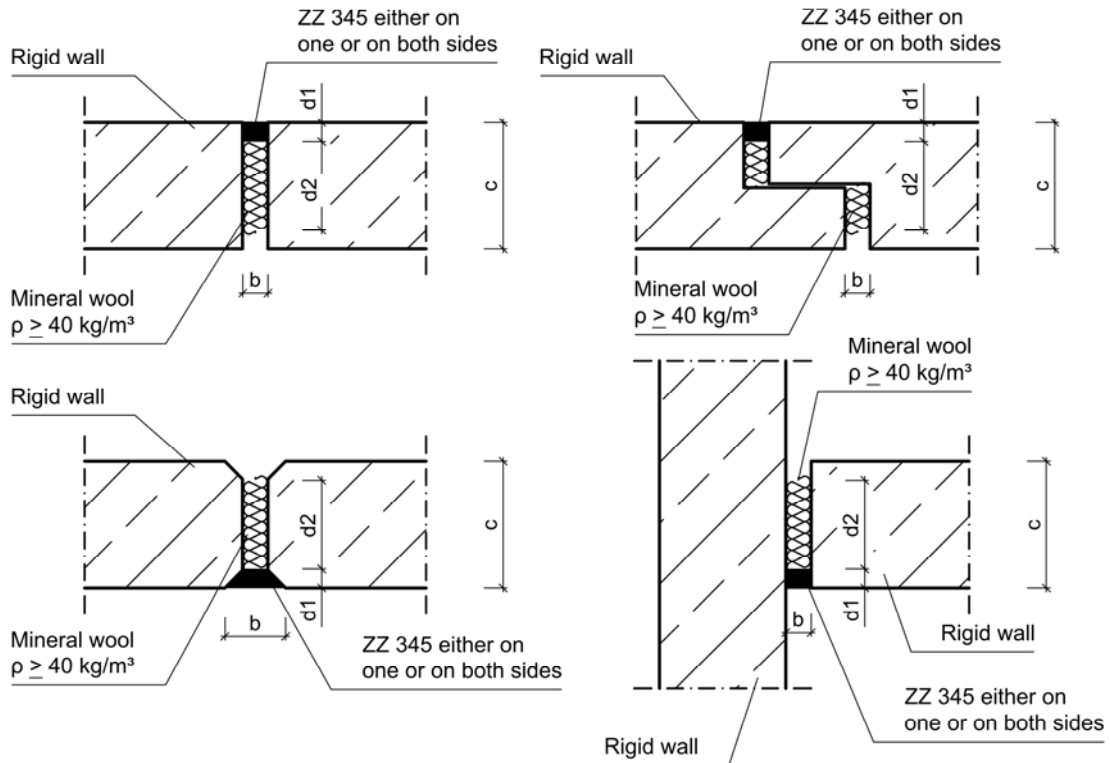
Element of construction	Joint width b [mm]	Floor thickness c [mm]	Seal depth d1 [mm]	Depth of backfilling material d2 [mm]	Fire resistance classification
Rigid floor	5 to 40	≥ 150	≥ 5	> b	1) EI15- to EI90-H-X-F-W 5 to 40
	5 to 20	≥ 150	≥ 5	> b	1) EI15- to EI120-H-X-F-W 5 to 40
	20 to 40	≥ 150	≥ 10	> b	1) EI15- to EI120-H-X-F-W 5 to 40

ZZ G30

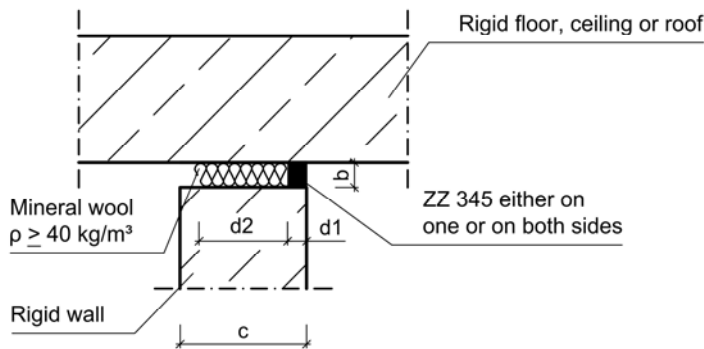
Maximum ± 7,5% movement (non-movement joint), sealed on both sides
 - Installation in rigid floor c ≥ 150 mm -

ANNEX B-2

1) Vertical joints in / between rigid walls:



2) Horizontal joints in rigid walls abutting a floor, ceiling or roof :



All dimensions in mm

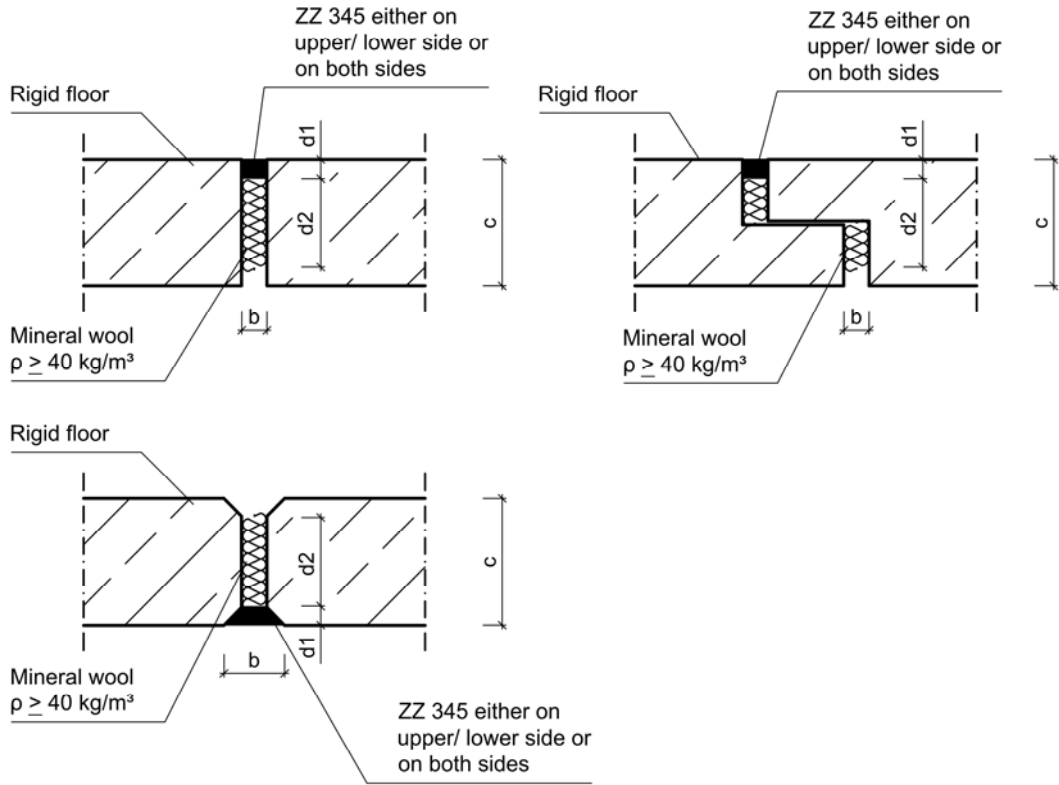
Element of construction	Joint width b [mm]	Wall thickness c [mm]	Seal depth d1 [mm]	Depth of backfilling material d2 [mm]	Fire resistance classification
Rigid wall	5 to 40	≥ 100	≥ 5	≥ 90	1) EI15- to EI180-V-X-F-W 5 to 40 2) EI15- to EI180-T-X-F-W 5 to 40

ZZ G30

Maximum ± 7,5% movement (non-movement joint), sealed on one/both sides
 - Installation in rigid wall c ≥ 100 mm -

ANNEX C-1

1) Horizontal joints in / between rigid floors:



All dimensions in mm

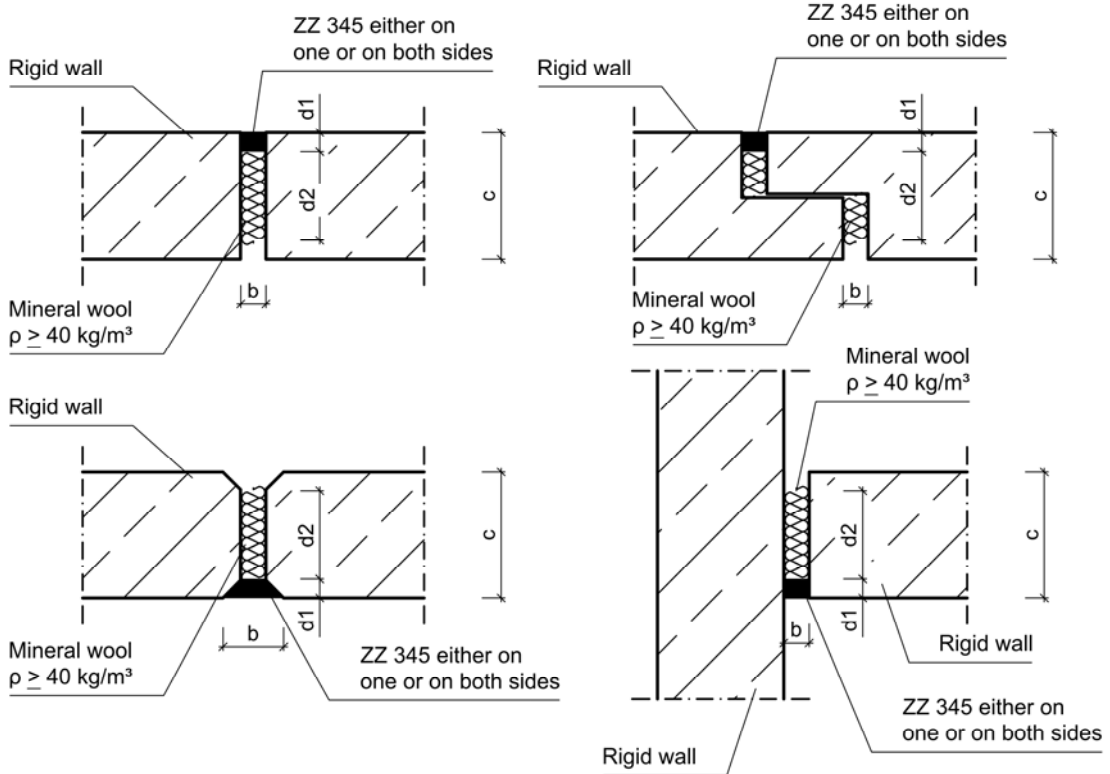
Element of construction	Joint width b [mm]	Floor thickness c [mm]	Seal depth d1 [mm]	Depth of backfilling material d2 [mm]	Fire resistance classification
Rigid floor	5 to 40	≥ 150	≥ 5	≥ 90	1) EI15- to EI120-H-X-F-W 5 to 40

ZZ G30

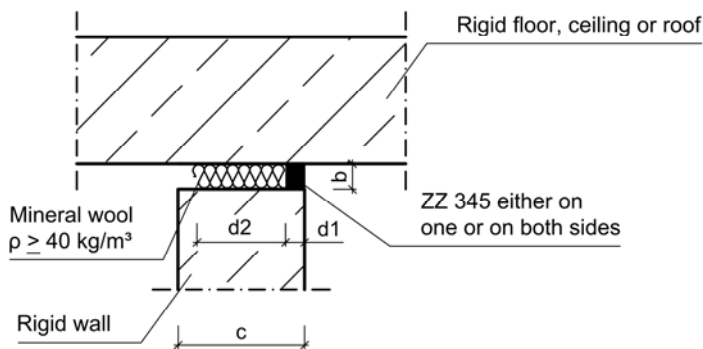
Maximum ± 7,5% movement (non-movement joint), sealed on one/both sides
 - Installation in rigid floor c ≥ 150 mm -

ANNEX C-2

1) Vertical joints in / between rigid walls:



2) Horizontal joints in rigid walls abutting a floor, ceiling or roof :



All dimensions in mm

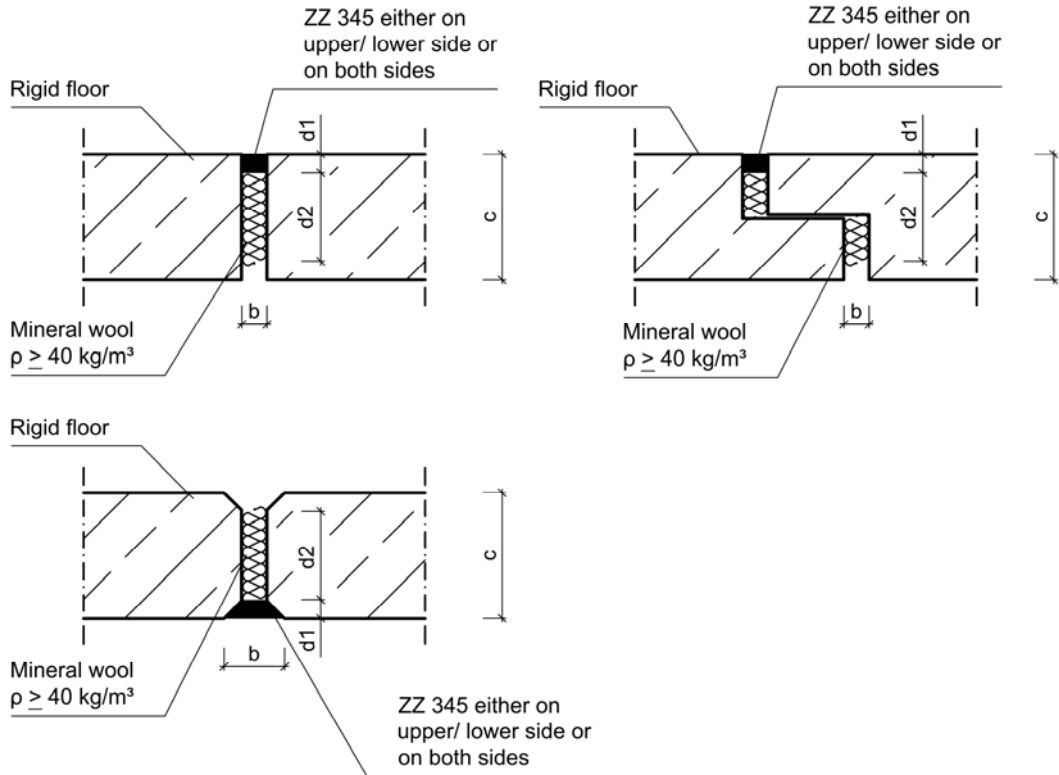
Element of construction	Joint width b [mm]	Wall thickness c [mm]	Seal depth d1 [mm]	Depth of backfilling material d2 [mm]	Fire resistance classification
Rigid wall	5 to 40	≥ 150	≥ 5	≥ 100	1) EI15- to EI120-V-M025-F-W 5 to 40 2) EI15- to EI120-T-M025-F-W 5 to 40

ZZ G30

Maximum $\pm 25\%$ lateral movement or $\pm 25\%$ shear movement
 - Installation in rigid wall $c \geq 150 \text{ mm}$ -

ANNEX D-1

1) Horizontal joints in / between rigid floors:



All dimensions in mm

Element of construction	Joint width b [mm]	Floor thickness c [mm]	Seal depth d1 [mm]	Depth of backfilling material d2 [mm]	Fire resistance classification
Rigid floor	5 to 40	≥ 150	≥ 5	≥ 100	1) EI15- to EI120-H-M025-F-W 5 to 40

ZZ G30

Maximum ± 25% lateral movement or ± 25% shear movement
 - Installation in rigid floor c ≥ 150 mm -

ANNEX D-2